



Sovitron Interior Pvt.Ltd.



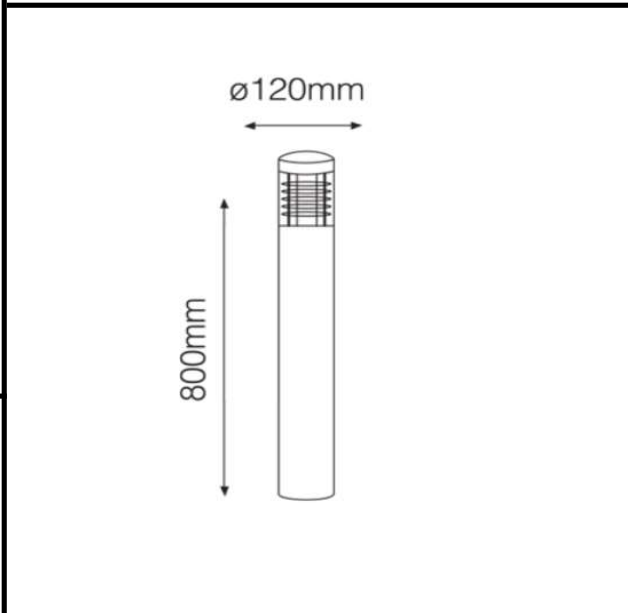
Model Name	JETT-R1610S/ DL-OUC-R1610S-800-15
Description	Bollard light

Technical description	Image
-----------------------	-------

Dimension	Dia=120mm,H=800mm
Frame	Aluminium Die-cast
Color Tempertaure	5700K
Power	15W
Total Luminous Flux	300 lm
Efficacy	20 lm/W
IP rating	65
Color Rendering	≥80
Mounting	Surface
Optics	Opal and Clear polycarbonate diffuser
Dimming	NON-Dimmable
Operating Voltage	220-240 VAC
Standard Lifetime	L70 minimum at 50,000 burning hours



Dimension diagram



Remarks:-

Address: Plot #7 Saroorpur-Nangla Industrial Area,Ballabgarh-Sohna Road,Faridabad-121005
Email: info@sovitron.com